

Dimension GS-2024

24-port Managed Layer 2

Gigabit Ethernet Switch with 2 SFP Slots



Key Benefits

Affordability and Availability

ZyXEL Dimension GS-2024, a Managed Layer 2 Wirespeed Gigabit performance switch, is a cost effective Gigabit connectivity solution for the SMB and Enterprise LAN market.

With non-blocking 48 Gbps switching fabric, the GS-2024 provides 24-port 1000 Base-T Layer 2 switching capability at wire-speed over current CAT-5 cabling to the desktops, as well as two open SFP slots providing fiber connectivity for long loop reach applications.

High Performance

The highly effective switch architecture of ZyXEL GS-2024 offers 48Gbps non-blocking switch fabric, 35.7 million packet-per-second forwarding rate and wire-speed performance. Ten times bandwidth than traditional Fast Ethernet that offer a nearly wait network experience which is suitable for Today's diverse E-Business applications. These benefits allow customers to enjoy exceptional network speed with little effort.

Industry Standard-based Network Management

ZyXEL GS-2024 features a comprehensive set of network management interface, including Web-based management interface, CLI management interface (Local/Remoter) and a built-in out-of-band MGMT RJ-45 port. User can easily configure, troubleshoot and monitor switches through these methods.

The GS-2024 also supports ZyXEL iStacking™ a superior Web-based management software that allows administrators to remotely manage multiple switches located differently. Administrators can configure, monitor, troubleshoot and manage up to 24 switches at once with just one IP, regardless of the physical locations.

Enterprise-class Feature Set

With all ports support N-way auto negotiation and MDI/MDI-X crossover, the GS-2024 supports 802.1p priority queue, 802.1Q VLAN, port-based VLAN, 802.3ad port aggregation, 802.1w RSTP and rate limiting. Corporate IT users can also benefit from the QoS and Security features of ZyXEL GS-2024. For traffic management, the GS-2024 supports IEEE 802.1p that classifies and prioritizes network traffic by four independent queues. On security, the GS-2024 supports Specific MAC Addresses Forwarding Per Port, which means only designated subscribers has the privilege to pass through the specific ports. In addition, the GS-2024 also supports IEEE802.1x port authentication.

Specifications

System Specifications

Standard Compliance

- IEEE 802.3 10 Base-T Ethernet
- IEEE 802.3u 100 Base-Tx Ethernet
- IEEE 802.ab 1000 Base-T Ethernet
- IEEE 802.3z
- IEEE 802.3x Flow control
- IEEE 802.1d Spanning tree protocol
- IEEE 802.1w Rapid Spanning tree protocol
- IEEE 802.1p Class of service, priority protocols
- IEEE 802.1Q VLAN tagging
- IEEE 802.1x
- IEEE 802.3ad Port aggregation

Performance

- 48Gbps non-blocking switching fabric
- 35.7 million packet-per-second forwarding rate
- Flexible design for both Gigabit copper and Gigabit fiber connectivity
- 1488000pps forwarding rate for 1000 Base-T/1000 Base-X connectivity, 148800pps forwarding rate for 100 Base-Tx connectivity
- Wire-speed performance

MAC and Packet Buffer

- 8K MAC entries
- 4Mbits packet buffer

Traffic Management and QoS

- IEEE 802.1p
- 8 egress queues per port for different types of traffic

- WRR (Weighted Round Robin) scheduling for different prioritization of packets
- SPQ (Strict Priority Queuing) for highest priority packets to get best service
- IEEE 802.1Q tag-based and port-based VLAN
- 256 static VLAN, up to 4K dynamic VLAN
- Support GVRP, automatic VLAN member registration
- Supports jumbo frame, up to 9K Bytes
- Supports IGMP snooping
- Congestion control on all ports
- Rate limiting(Ingress rate)
 - Allow bandwidth to be shaped in steps at 64Kbps
 - Supports 14 scales for incremental rate limiting incrementally

Link Aggregation

- IEEE 802.3ad compliant
- Support LACP, static and dynamic link aggregation
- Up to 4 aggregation groups
- 8 ports per group randomly selected Redundancy for Fault Backup
- IEEE802.1w Rapid Spanning Tree Protocol (RSTP) provides rapid convergence of spanning tree independent of spanning-tree timer

User Security and Authentication

- MAC filtering per port secures access to each port
- Specific MAC forwarding per port: only specified MAC addresses can access the network (port lock)
- 802.1x port-based security, prevent unauthorized client access to the network
- Private VLAN provides security and isolation between ports on a switch, ensures that users can not snoop on each other's traffic

Network Administration Security

- User name/password required for web/telnet/local console administrators
- Two level security by specific SNMP read/write community

Network Management

- Supports ZyXEL iStacking™, up to 24 switches can be managed by one IP
- Web-based management
- Telnet CLI
- SNMP v2c
- RS-232c Local console
- IP management: static IP or DHCP client
- RMON four RMON groups 1, 2, 3, 9 (history, statistics, alarms, and events) for enhanced traffic management, monitoring, and analysis
- Port mirroring: supports Source/Destination/Both port mirroring

Hardware Specifications

Interface connections

- 24 100/1000 Base-T, auto-negotiation and cross-over
- 2 shared SFP open slots
- 1 console port, D-Sub 9 pin Female (DCE)
- 1 out-of-band management port, RJ-45

Physical Specification

- Dimensions: 440 (L) x 300 (D) x 445 (H) mm
- Weight: 4 Kg

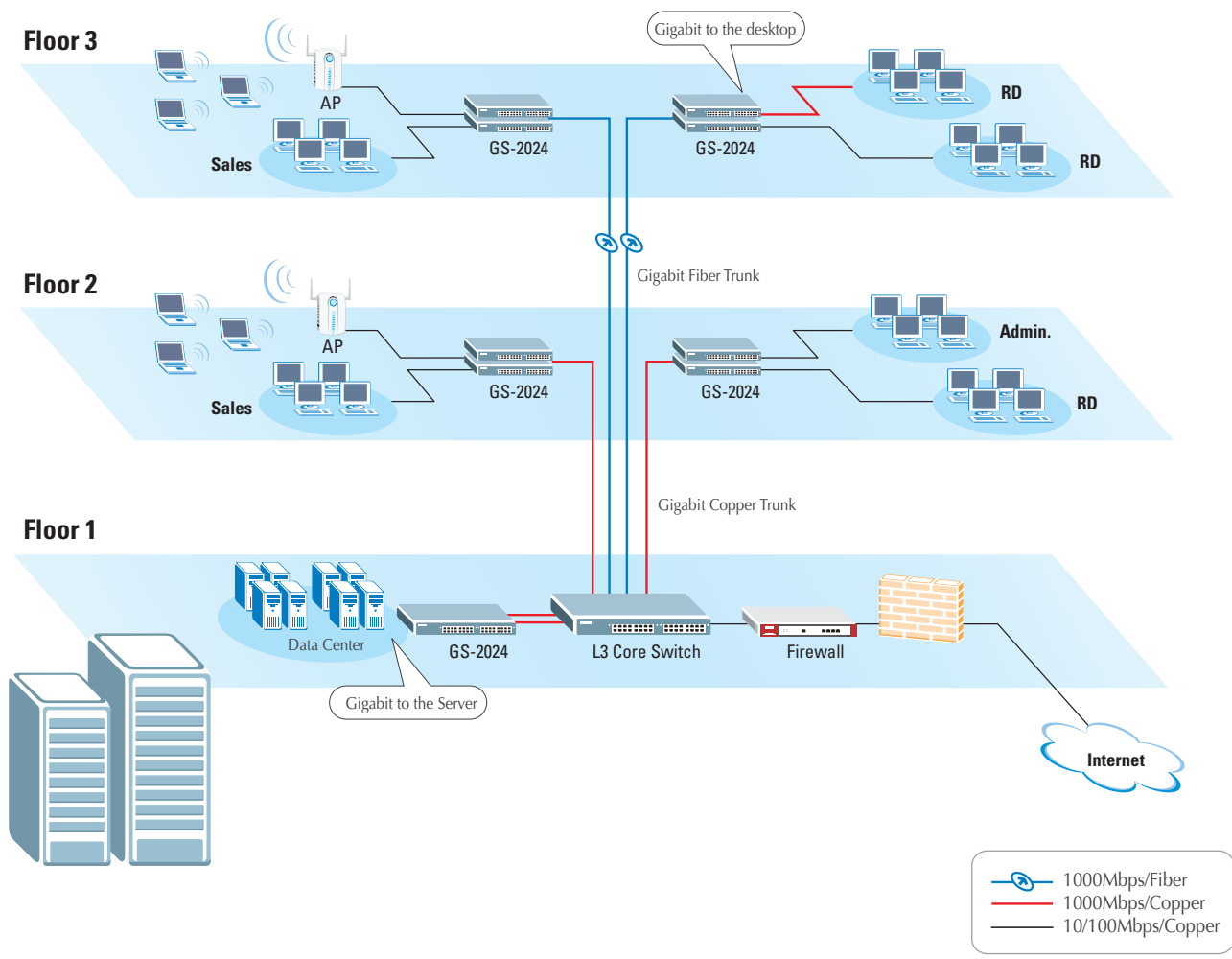
Power Requirement

- Input voltage of AC: 100-240VAC, 50/60Hz
- Max power rating of AC: 50 Watt

Environmental Specification

- Operating temperature: 0°C~ 45°C
- Storage temperature: -25°C ~ 70°C
- Operating humidity: 10% ~ 90%, non-condensing

Application Diagram



Operational Information

Transceiver (Optional)

Model Name	Optical Receiver Sensitivity	Wavelength	Connector	Transmission Distance vs. Fiber Cable Specification			Operational Ranges	
				62.5um Multi-Mode Fiber	50um Multi-Mode Fiber	9/10um Single-Mode Fiber	Supply Voltage	Max Current
SFP-SX	-17 dBm	850nm	LC	220 m	550 m	-	3.15 ~ 3.45 V	300 mA
SFP-LX-10	-20 dBm	1310nm	LC	550 m	550 m	10 km	3.15 ~ 3.45 V	300 mA
SFP-LHX1310-40	-23 dBm	1310nm	LC	-	-	40 km	3.15 ~ 3.45 V	300 mA
SFP-ZX-80	-24 dBm	1550nm	LC	-	-	80 km	3.15 ~ 3.45 V	300 mA

Corporate Headquarters

ZyXEL Communications Corp.

Tel: +886-3-578-3942
 Fax: +886-3-578-2439
 Email: sales@zyxel.com.tw
 http://www.zyxel.com

Asia

ZyXEL China (Beijing)

Tel: +86-010-82800646
 Fax: +86-010-82800587
 Email: sales@zyxel.cn
 http://www.zyxel.cn

ZyXEL China (Shanghai)

Tel: +86-021-61199055
 Fax: +86-021-52069033
 Email: sales@zyxel.cn
 http://www.zyxel.cn

ZyXEL China (Wuxi)

Tel: +86-510-88080888
 Fax: +86-510-85222670
 Email: info@zyxel.cn
 http://www.zyxel.cn

ZyXEL India

Tel: +91-11-3088-8144
 Fax: +91-11-3088-8149
 Email: support@zyxel.in
 http://www.zyxel.in

ZyXEL Japan

Tel: +81-3-6847-3700
 Fax: +81-3-6847-3705
 Email: info@zyxel.co.jp
 http://www.zyxel.co.jp

ZyXEL Kazakhstan

Tel: +7-327-2-590-699
 Fax: +7-327-2-590-689
 Email: sales@zyxel.kz
 http://www.zyxel.kz

ZyXEL Malaysia

Tel: +603-8076-9933
 Fax: +603-8076-9833
 Email: info@zyxel.com.my
 http://www.zyxel.com.my

ZyXEL Pakistan

Tel: +92 21 4310194-5
 Fax: +92 21 4310196
 Email: info@zyxel.com.pk
 http://www.zyxel.com.pk

ZyXEL Singapore

Tel: +65-6899-6678
 Fax: +65-6899-8887
 Email: sales@zyxel.com.sg
 http://www.zyxel.com.sg

ZyXEL Taiwan (Taipei)

Tel: +886-2-2739-9889
 Fax: +886-2-2735-3220
 Email: sales@zyxel.com.tw
 http://www.zyxel.com.tw

ZyXEL Thailand

Tel: +66 (0)-2831-5315
 Fax: +66 (0)-2831-5395
 Email: info@zyxel.co.th
 http://www.zyxel.co.th

Europe

ZyXEL BeNeLux

Tel: +31 23 5553689
 Fax: +31 23 5578492
 Email: info@zyxel.nl
 http://www.zyxel.nl

ZyXEL Czech s.r.o

Tel: +420 241 091 350
 Fax: +420 241 091 359
 Email: info@zyxel.cz
 http://www.zyxel.cz

ZyXEL Denmark A/S

Tel: +45 39 55 07 00
 Fax: +45 39 55 07 07
 Email: sales@zyxel.dk
 http://www.zyxel.dk

ZyXEL Finland Oy

Tel: +358-9-4780 8400
 Fax: +358-9-4780 8448
 Email: sales@zyxel.fi
 http://www.zyxel.fi

ZyXEL France SARL

Tel: +33 (0)4 72 52 97 97
 Fax: +33 (0)4 72 52 19 20
 Email: info@zyxel.fr
 http://www.zyxel.fr

ZyXEL Germany GmbH.

Tel: +49 (0) 2405-6909 0
 Fax: +49 (0) 2405-6909 99
 Email: sales@zyxel.de
 http://www.zyxel.de

ZyXEL Hungary

Tel: +36-1-336-1646
 Fax: +36-1-325-9100
 Email: info@zyxel.hu
 http://www.zyxel.hu

ZyXEL Norway A/S

Tel: +47 22 80 61 80
 Fax: +47 22 80 61 81
 Email: sales@zyxel.no
 http://www.zyxel.no

ZyXEL Poland

Tel: +48 (22) 333 8250
 Fax: +48 (22) 333 8251
 Email: info@pl.zyxel.com
 http://www.pl.zyxel.com

ZyXEL Russia

Tel: +7 (495) 542-8920
 Fax: +7 (495) 542-8925
 Email: info@zyxel.ru
 http://www.zyxel.ru

ZyXEL Spain

Tel: +34 902 195 420
 Fax: +34 913 005 345
 Email: sales@zyxel.es
 http://www.zyxel.es

ZyXEL Sweden A/S (Göteborg)

Tel: +46 (0) 31 744 77 00
 Fax: +46 (0) 31 744 77 01
 Email: sales@zyxel.se
 http://www.zyxel.se

ZyXEL Sweden A/S (Stockholm)

Tel: +46 8 752 9600
 Fax: +46 8 752 9610
 Email: sales@zyxel.se
 http://www.zyxel.se

ZyXEL Turkey A.S.

Tel: +90 212 222 55 22
 Fax: +90 212 220 25 26
 Email: bilgiz@zyxel.com.tr
 http://www.zyxel.com.tr

ZyXEL UK Ltd.

Tel: +44 (0) 1344 303044
 Fax: +44 (0) 1344 303034
 Email: sales@zyxel.co.uk
 http://www.zyxel.co.uk

The Americas

ZyXEL Costa Rica

Tel: +506-2017878
 Fax: +506-2015098
 Email: sales@zyxel.co.cr
 http://www.zyxel.co.cr

ZyXEL North America

Tel: +1-714-632-0882
 Fax: +1-714-632-0858
 Email: sales@zyxel.com
 http://www.us.zyxel.com